



**160**  
kN



FORGED STEEL IN MY BODY



DOUBLE ROLLER/TAPPER BEARING

**-130**  
kN



L100 ø45  
mm



1/2"  
BSP



250  
bar

**80**  
kN

**-65**  
kN

**3400**  
nm

**62**  
kg

**40**  
l/min

Hydraulic rotator FHH 16 designed for heavy duty machinery to meet the highest demands for quality and reliability. Ideal for intensive professional use in forestry, agriculture, road and building construction, recycling industry, general cargo and material handling.



Rotator's upper mount is applied in FORK form factor of the knuckle joint. Robust and tough built to withstand even overloads. The fork width (between fork ends) is common standard width 100mm and the knuckle pin diameter 45mm.



FHL 03

Rotator lower mount is applied in FLANGE form factor to mount direct on grapple / tool surface by fixing with screws



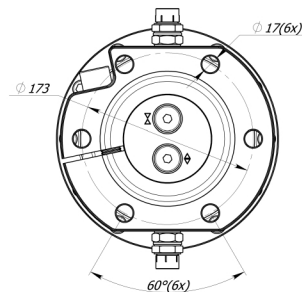
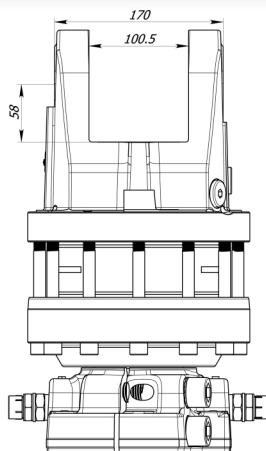
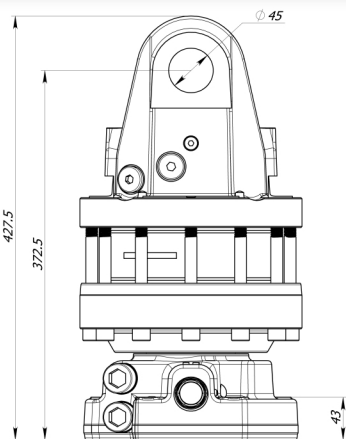
ø173  
17(x6)  
mm



1/2"  
BSP



1/2"  
BSP



W celu dodatkowych danych dotyczących ceny oraz informacji technicznych proszę o kontakt: [www.formiko.eu](http://www.formiko.eu)

Formiko Hydraulics FHR 12 rotators are developed for heavy duty machinery to meet the highest demands for quality and reliability.

FORESTRY AGRICULTURE CONSTRUCTION GENERAL CARGO RECYCLING



GENERALNY DYSTRYBUTOR

**FORMIKO/ FLOW Ltd.**

31-201 Kraków  
Polska

+48 661 951 961

+48 663 554 551

sales@formiko.eu

www.formiko.eu



Hydraulic rotator FHH 16 designed for heavy duty machinery to meet the highest demands for quality and reliability. Ideal for intensive professional use in forestry, agriculture, road and building construction, recycling industry, general cargo and material handling.



Rotator's upper mount is applied in FORK form factor of the knuckle joint. Robust and tough built to withstand even overloads. The fork width (between fork ends) is common standard width 100mm and the knuckle pin diameter 45mm.



Rotator lower mount is applied in FLANGE form factor to mount direct on grapple / tool surface by fixing with screws



Rotator FHH 16 based on reliable vane type hydraulic motor which delivers torque up to 3400Nm at 25MPa.



Formiko Hydraulics rotator FHH 16 is equipped with double bearings to withstand both tensional and pushing loads.



Some parts in rotator are built from shock resistant and deformation resistant forged steel.



Formiko rotator FHH 16 is compatible with FHL 03 series links.



Rotator for shipping is packed in compact solid cardboard box with dimensions 450x250x250mm.



We providing ONE year warranty for this rotator.

W celu dodatkowych danych dotyczących ceny oraz informacji technicznych proszę o kontakt: [www.formiko.eu](http://www.formiko.eu)

Formiko Hydraulics FHR 12 rotators are developed for heavy duty machinery to meet the highest demands for quality and reliability.

FORESTRY



AGRICULTURE



CONSTRUCTION



GENERAL CARGO



RECYCLING



GENERALNY DYSTRYBUTOR

**FORMIKO/ FLOW Ltd.**

31-201 Kraków  
Polska

+48 661 951 961

+48 663 554 551

[sales@formiko.eu](mailto:sales@formiko.eu)

[www.formiko.eu](http://www.formiko.eu)