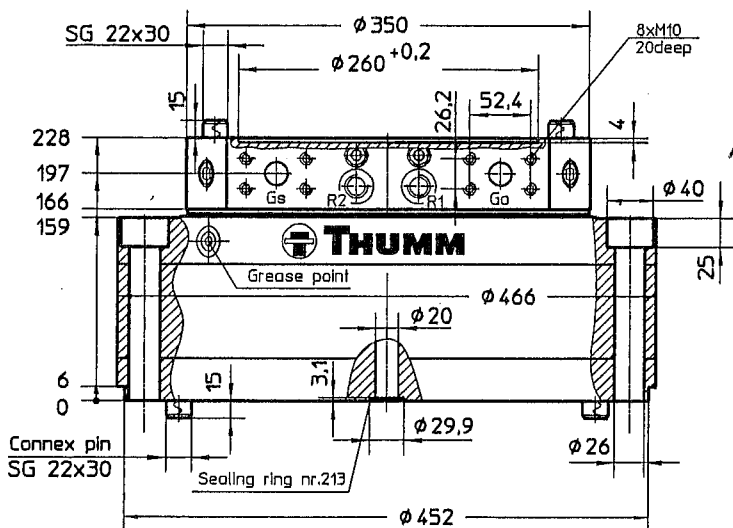
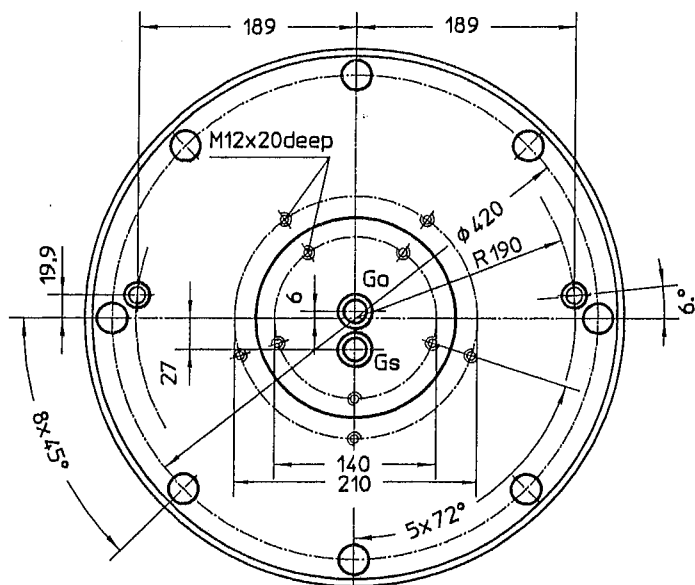
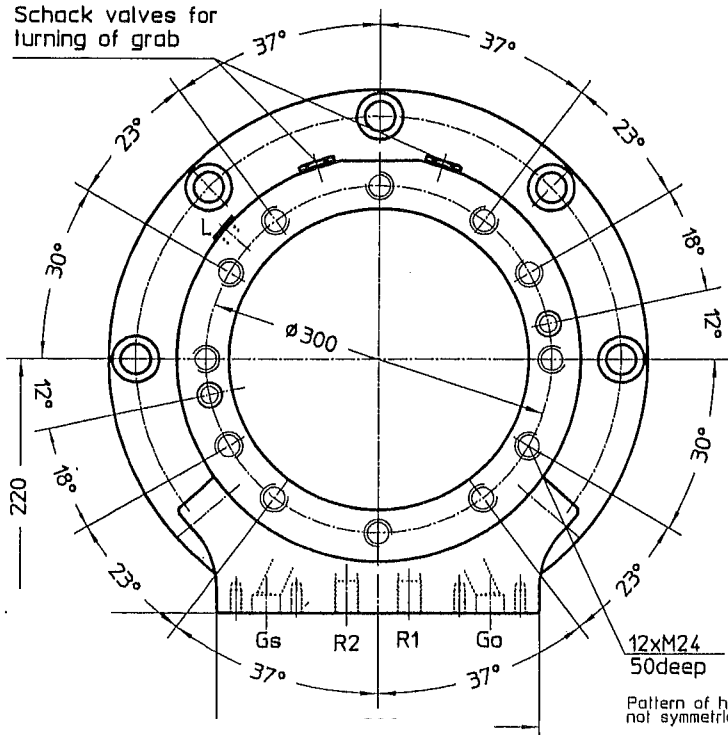


(old type: 625H-1-SAE 1")



Schack valves for turning of grab


Variants of design:

Stator with screw thread 12xM24
 Pattern of holes not symmetrical
 Fitting dimensions same as:
 Rotator type 716HC and 621H

Machine:

e.g. hydraulic excavator service weight:
 max. 45ts. with floating attachment
 max. 34ts. with rigid attachment

Add-on units:

Clamshell buckets of max. 3,0m³
 Grapples of max. 1,5m³
 Grabs for demolition and sorting
 of max. 1,6ts. dead load
 Sorting units (please ask manufacturer)

Technical details:

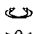



max. thrust load	- 250 KN
max. radial load	- 180 KN
Pmax. grab	- 350bar
Pmax. rotating engine	- 250bar
max. torque	- 7000Nm
Absorption volume	- 2100cm ³ /R
min. oil passage Gs/Go	- NW20
rec. oil flow Gs/Go	max. 230l/min
Mass	- 235kg
max. rotations	- 30rpm

max.transverse moment: refer to 4.625.00

Volume of delivery:

2 sealing ring nr.	213
4 Connex pin	SG 22x30

Connections:

R1,R2: turn rotator	 G 1/2"
Go: open grab	 SAE 1" 3000psi
Gs: close grab	 SAE 1" 3000psi
L: Measuring conn.	 G 1/4"
oil distributor flange dimension	Ö3

Edition 0310 Th.

Paint: black primary coat
 Reserve made to modifications
 All rights reserved