
Variants of design:

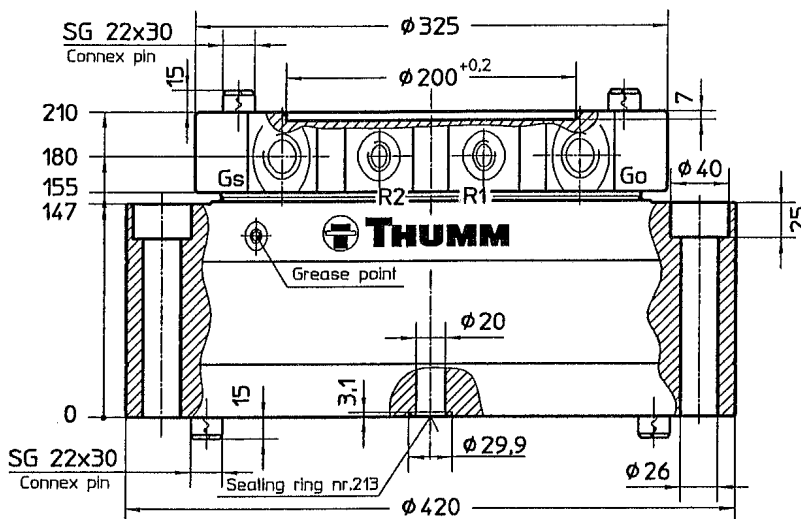
Stator with scew thread 12xM24 ϕ 265
 Pattern of holes not symmetrical

Machine:

e.g. hydraulic excavator service weight:
 max. 40ts. with floating attachment
 max. 27ts. with rigid attachment

Add-on units:

Clamshell buckets of max. 2,5m³
 Grapples of max. 1,2m³
 Grabs for demolition and sorting
 of max. 1,3ts. dead load
 Sorting units (please ask manufacturer)


Technical details:

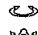



| | |
|------------------------|--------------------------|
| max. thrust load | = 200KN |
| max. radial load | = 140KN |
| Pmax. grab | = 35MPa |
| Pmax. rotating engine | = 25MPa |
| Torque / 1 MPa | = 250Nm |
| Absorption volume | = 1850cm ³ /R |
| min. oil passage Gs/Go | = NW18 |
| Mass | = 173kg |
| max. rotations | = 30rpm |

max. transverse moment: refer to 4.620.00

Volume of delivery:

| | |
|--------------------|----------|
| 2 sealing ring nr. | 213 |
| 4 Connex pin | SG 22x30 |

Connections:

| | | |
|---------------------|---|--------|
| R1,R2: turn rotator |  | G 1/2" |
| Go: open grab |  | G 1" |
| Gs: close grab |  | G 1" |
| L: Measuring conn. |  | G 1/4" |

oil distributor flange dimension 3

Edition 0310 Th.

Paint: black primary coat

Reserve made to modifications

All rights reserved

Schack valves for turning of grab

