



STATIC LOAD
DYNAMIC LOAD
TORQUE at 25MPa
WEIGHT
OILFLOW
COMPATIBILITY



60
kN

30
kN

1850
Nm

51
kg

25
l/min



FHL02



DOUBLE BEARING

OPPOSITE HOSE CONNECTION

Grapple close
G1/2" Max 300 bar

Grapple open
G1/2" Max 250 bar

Rotator designed for intensive professional use and extended long lifetime

Grapple open
G1/2"

Optional open/close channels

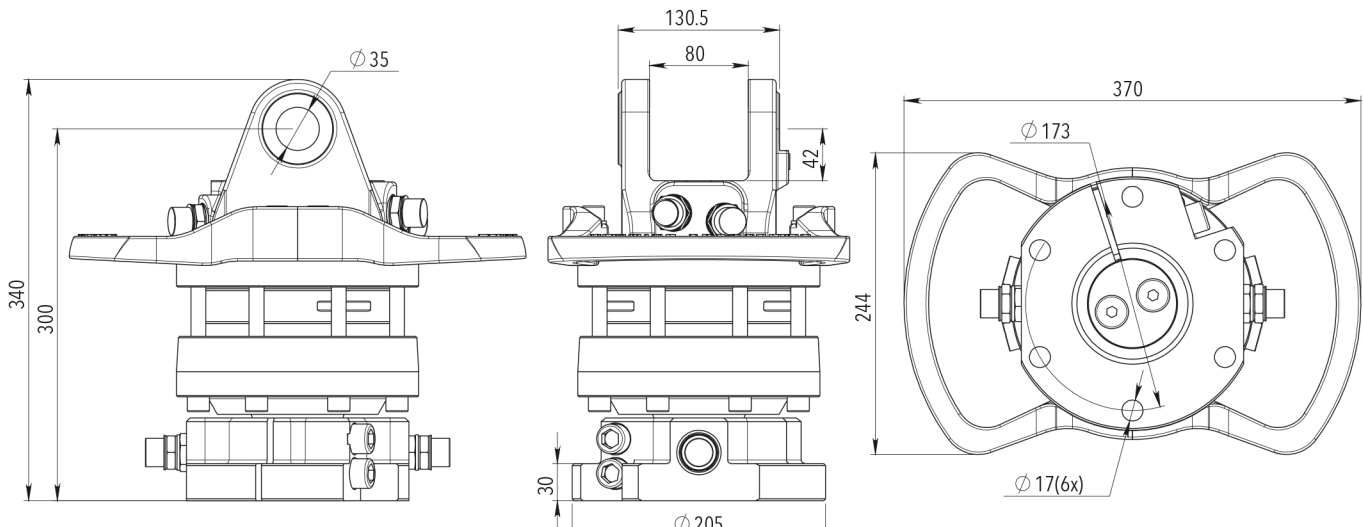
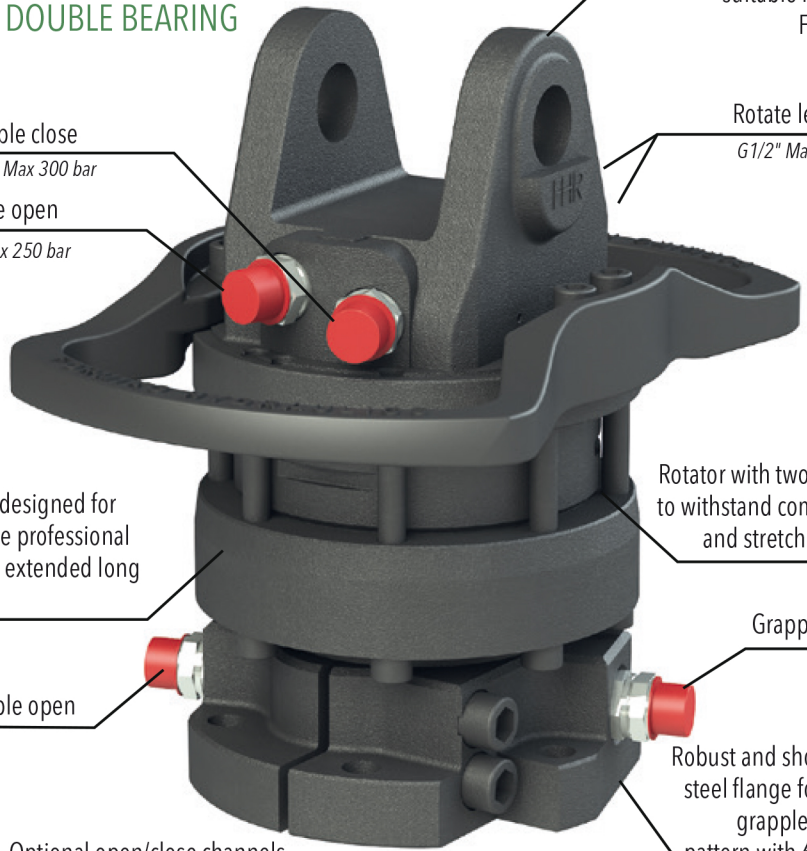
Rotator frame L80 ϕ 35 suitable for Formiko FHL02 links

Rotate left/right
G1/2" Max 250 bar

Rotator with two bearings to withstand compression and stretching forces

Grapple close
G1/2"

Robust and shock resistant steel flange for fitting the grapple in standard pattern with 6xM16 bolts



We delivery only professional products:



KONTAKT/CONTACT

+48 660 335 336, +48 660 337 336, +48 663 994 664

info@hydroexpert.eu